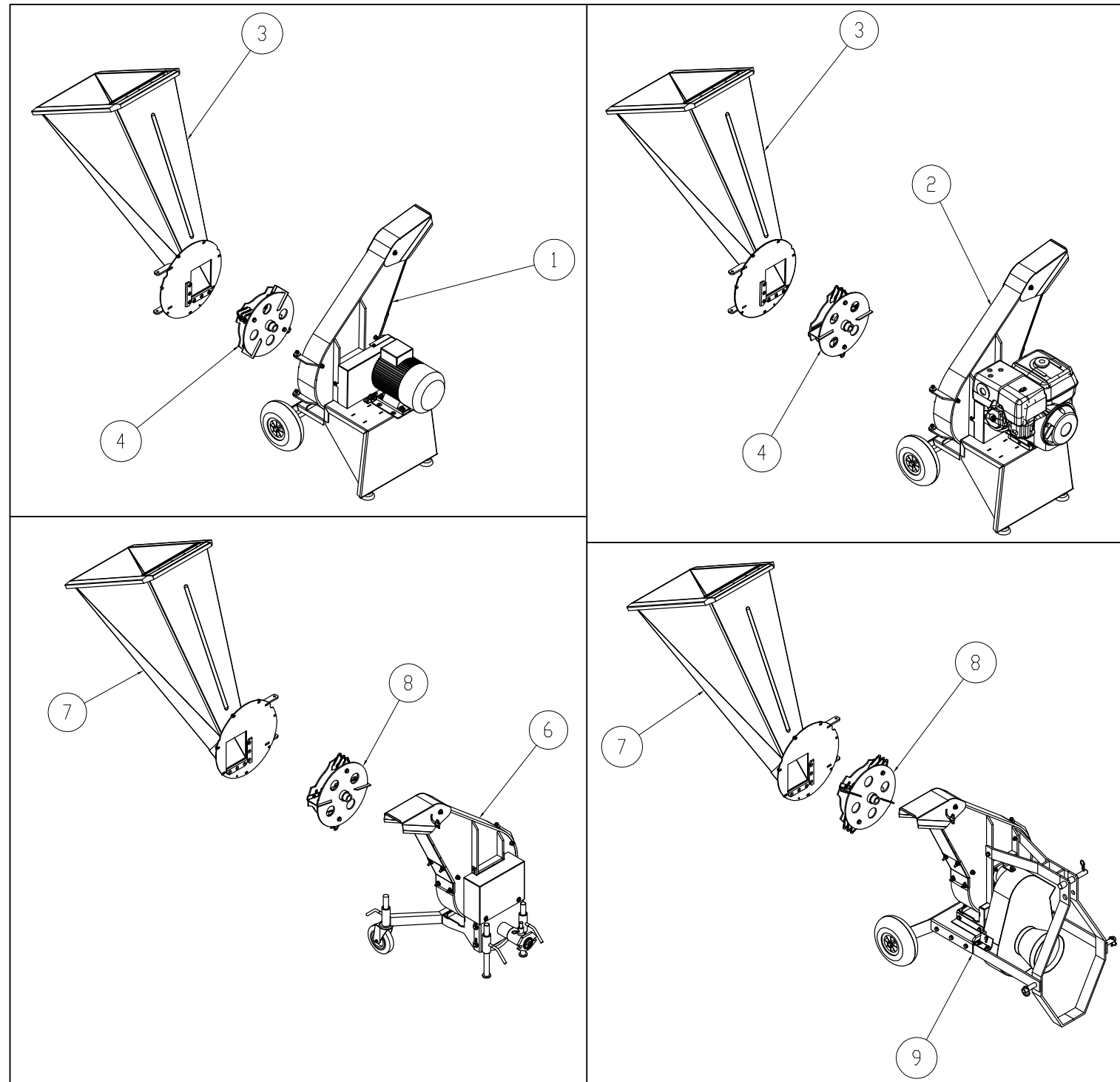
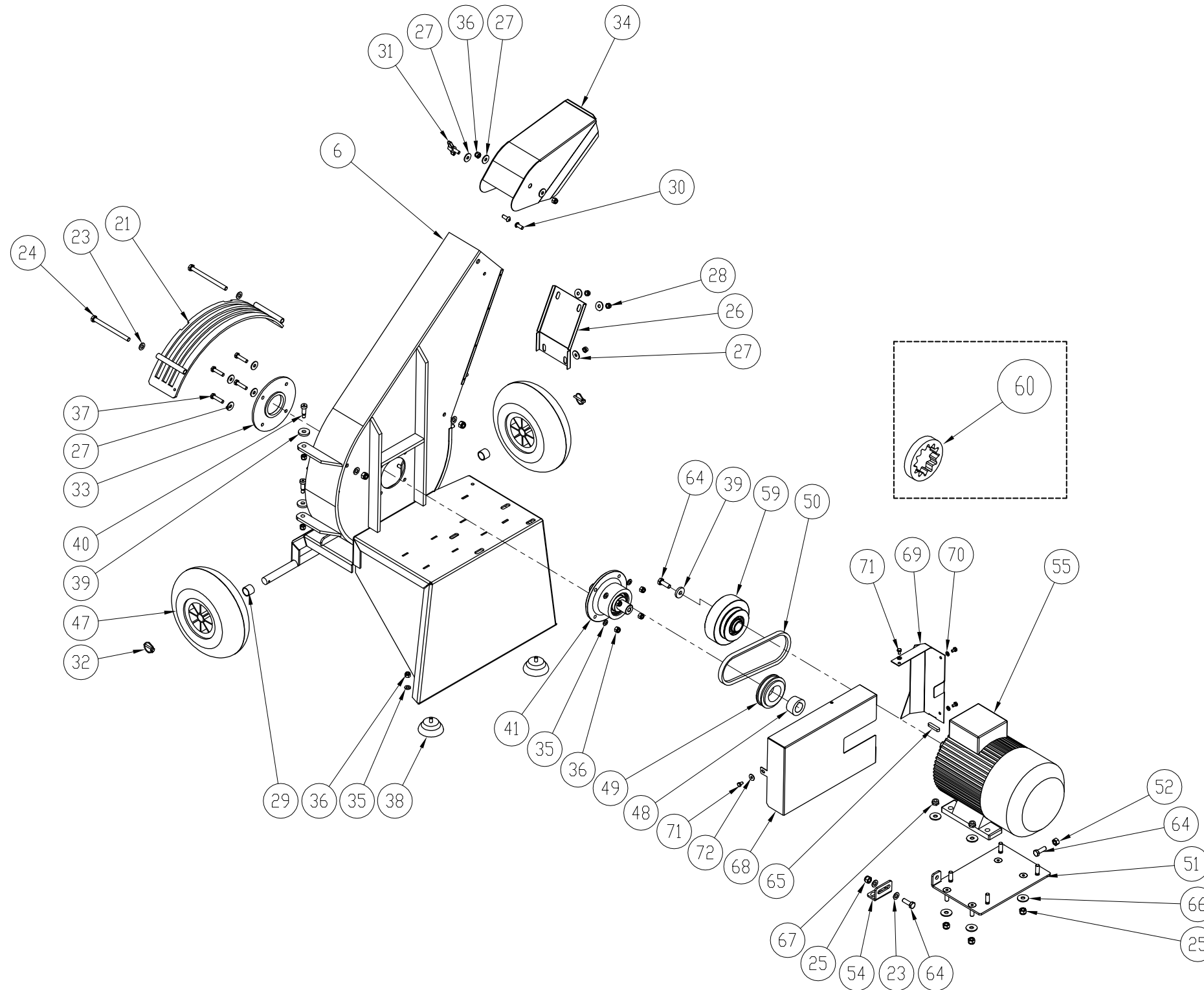
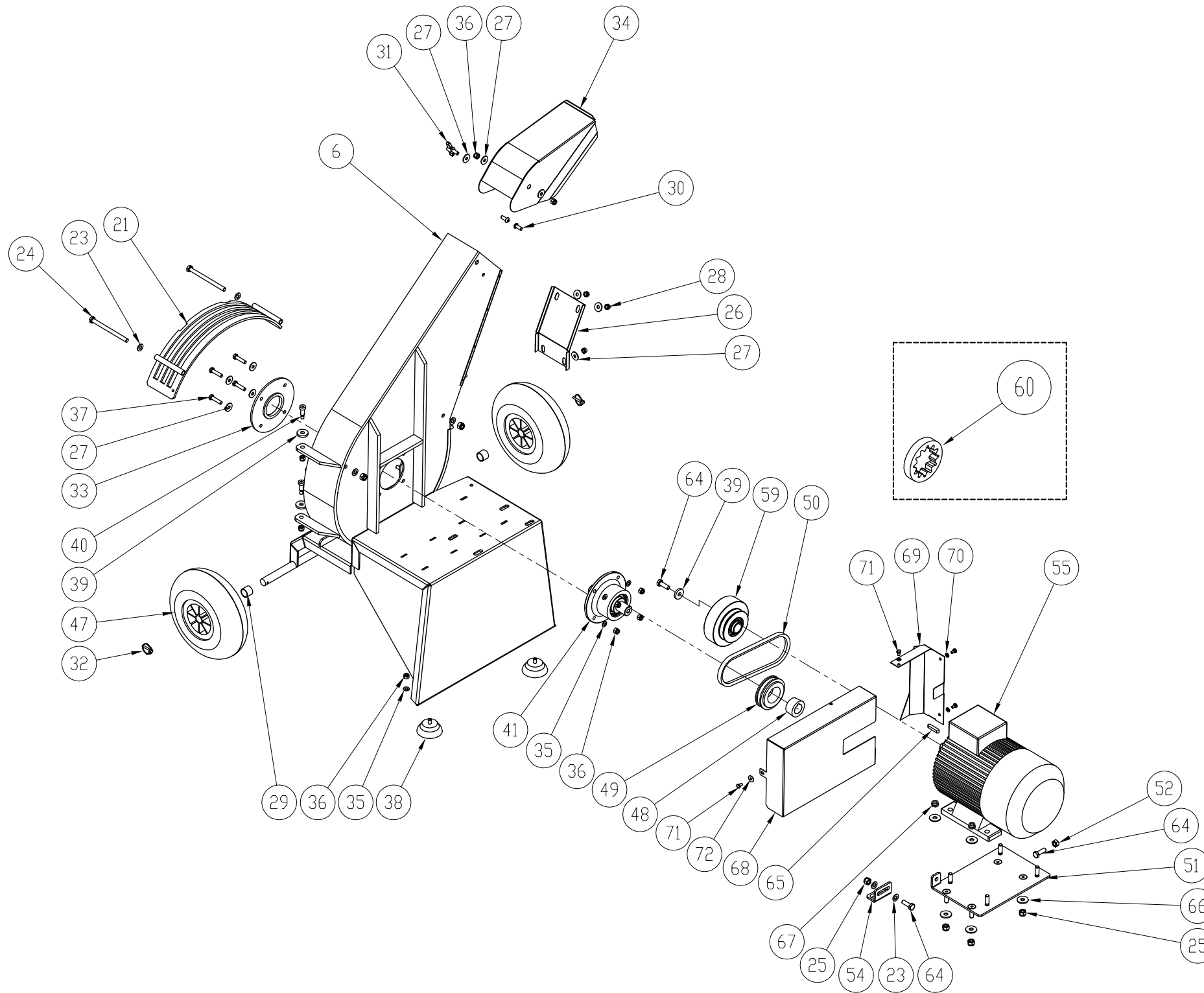


- Bio 90 E
- Bio 90 B
- Bio 90 MTC
- Bio 90 PTO

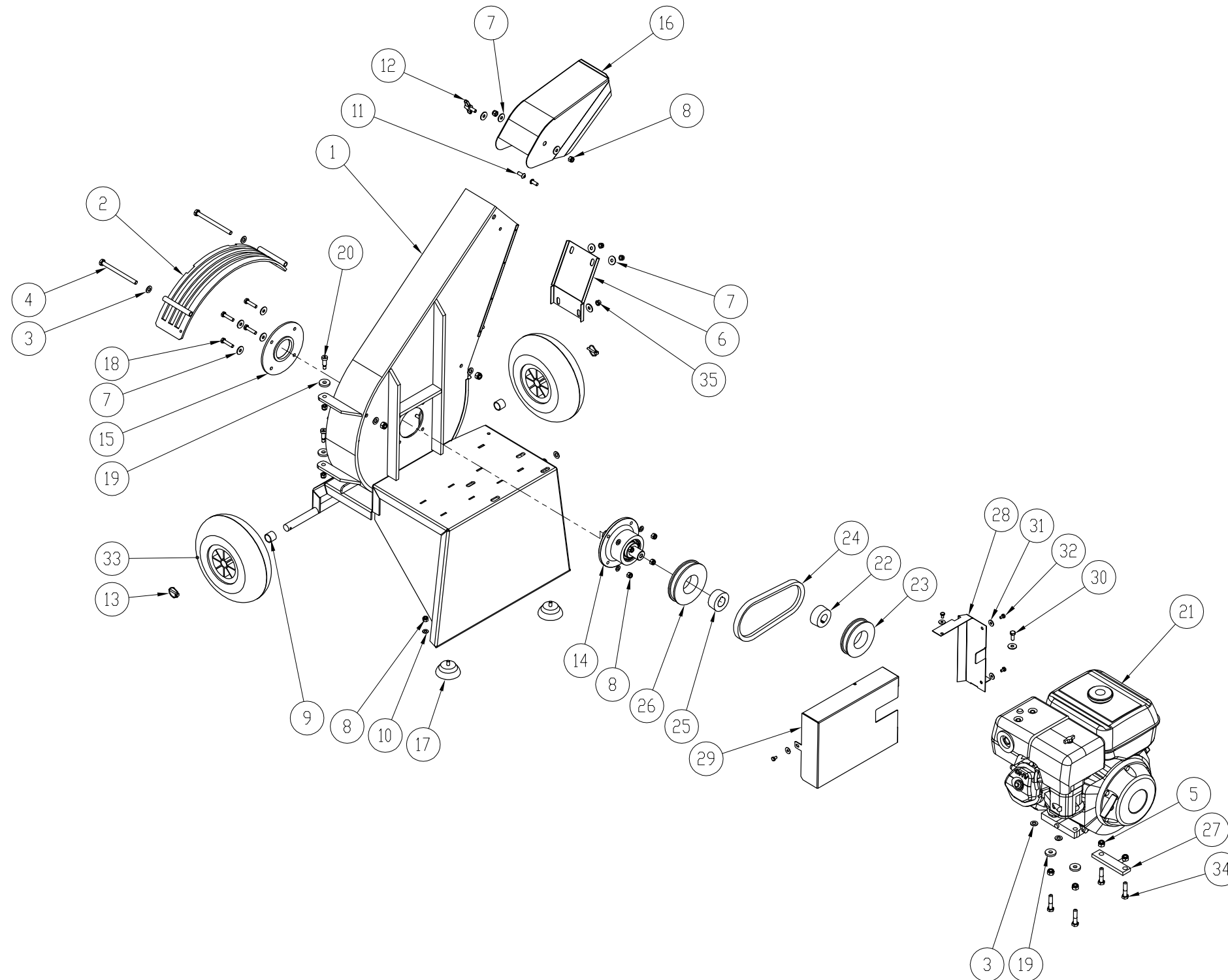




Pos	Description	No.	Code
6	Frame	1	000392
21	Screen	1	000024
23	Washer $\phi 10 \times 20$	6	900028
24	Screw TE M10x130	2	900029
25	Self-lock nut M10	7	900030
26	Screen inspection	1	000025
27	Washer $\phi 8 \times 24$	11	900038
28	Self-lock nut M8 (low)	4	900762
29	Wheel spacer	2	000026
30	Screw TBEI M8x20	2	900039
31	Knob M8x20	1	900040
32	Circlip pin $\phi 4,5$	2	900033
33	Flange	1	000395
34	Casing	1	000027
35	Washer $\phi 8 \times 16$	6	900034
36	Self-lock M8 (low)	16	900027
37	Screw TE M8x35	4	900335
38	Rubber foot M8 M	2	900223
39	Washer $\phi 30 \times 5$	3	000433
40	Screw with collar M8x20	2	900763
41	Flange Assembly	1	000393
47	Wheel $\phi 260 \times 85$	2	900031
48	Bush 1610 hole $\phi 28$	1	900894
49	Pulley 1A 85	1	900893
50	Belt A-23	1	900892
51	Plate (electric motor)	1	001275
52	Nut M10 (high)	2	900470
54	Angular plate	1	001276
55	Electric motor 5,5 kW	1	900891

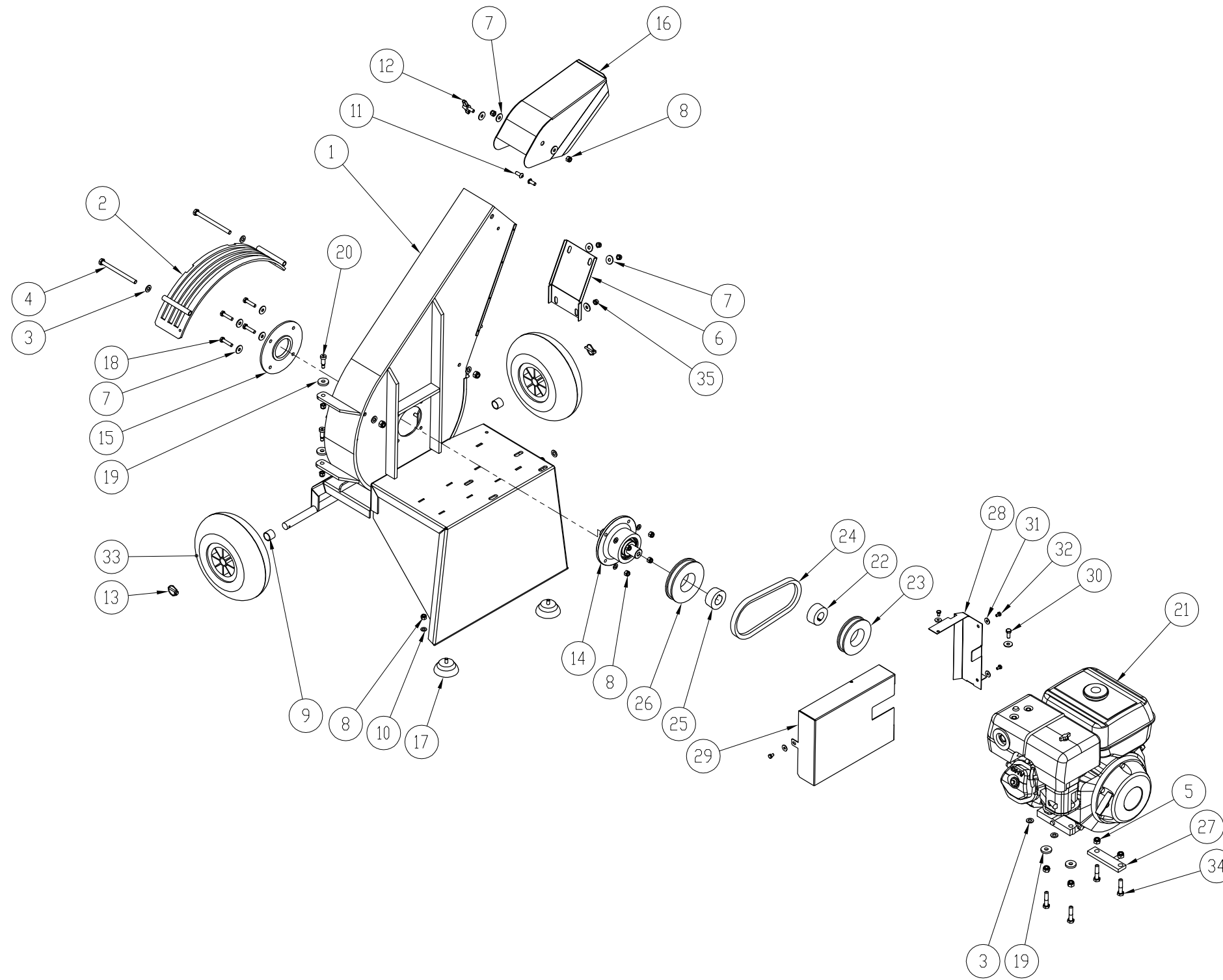


Pos	Description	No.	Code
59	Centrifugal clutch 1A $\phi 122$ $\phi 28$	1	013800001
60	Centrifugal rubber $\phi 122$	1	019400000
64	Screw TE M10x30	3	900373
65	Key 8x7x40	1	900890
66	Washer $\phi 10$ x30	8	900026
67	Self-lock nut M10 (low)	4	900495
68	Belt cover	1	001274
69	Cover closure	1	001273
70	Washer $\phi 6$ x12	3	900365
71	Screw TE M6x10	4	900332
72	Washer $\phi 6$ x18	1	900046

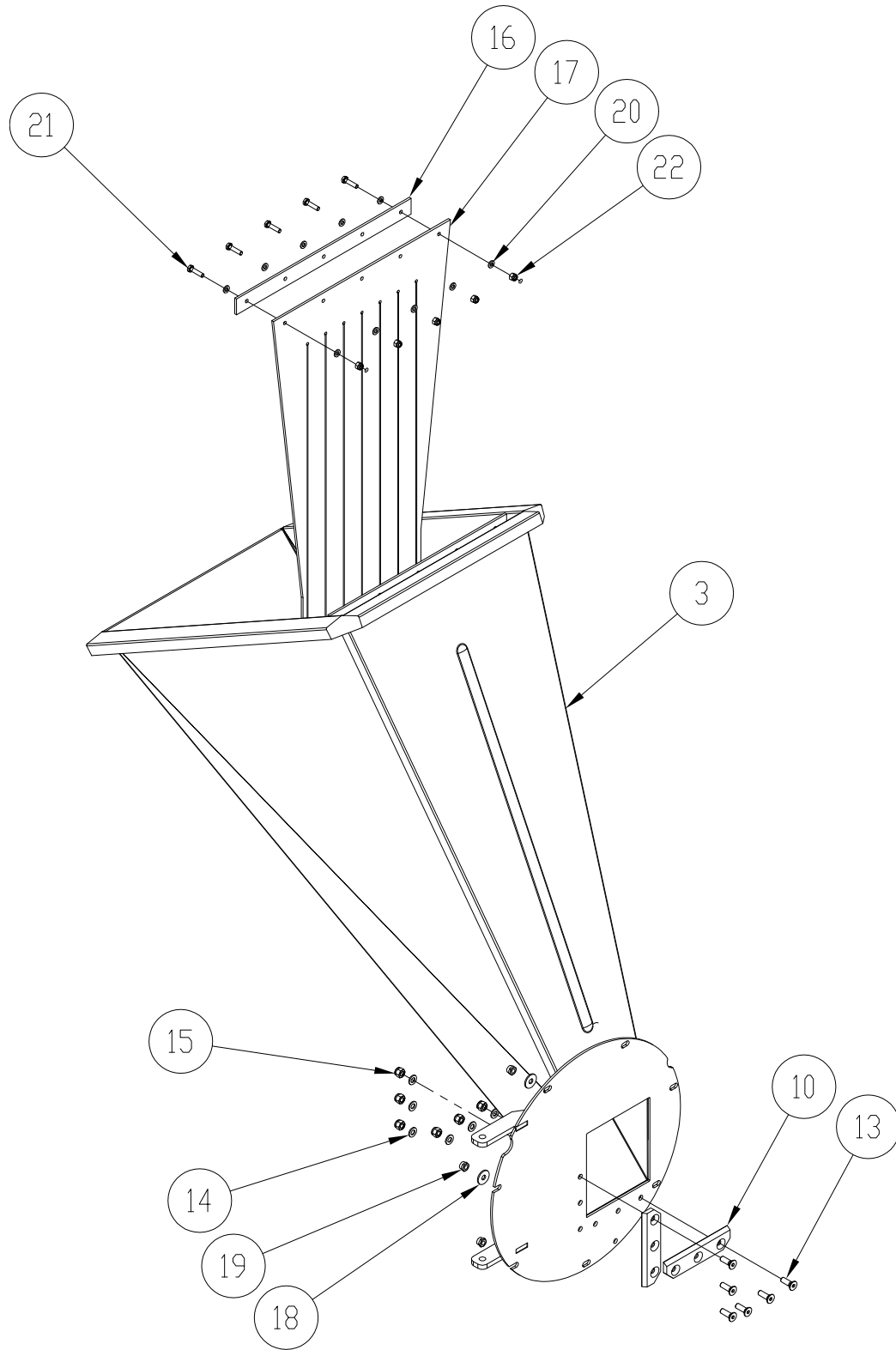


Pos	Description	No.	Code
1	Frame	1	000392
2	Screen	1	000024
3	Washer $\phi 10 \times 20$	9	900028
4	Screw TE M10x130	2	900029
5	Self-lock nut M10	7	900030
6	Screen inspection	1	000025
7	Washer $\phi 8 \times 24$	12	900038
8	Self-lock nut M8	11	900027
9	Wheel spacer	2	000026
10	Washer $\phi 8 \times 16$	7	900034
11	Screw TBEI M8x20	2	900039
12	Knob M8x20	1	900040
13	Circlip pin $\phi 4,5$	2	900033
14	Flange Assembly	1	000393
15	Flange	1	000395
16	Casing	1	000027
17	Rubber foot M8 M	2	900223
18	Screw TE M8x35	4	900335
19	Washer $\phi 30 \times 5$	4	000433
20	Screw with collar M8x20	2	900763
21	Engine Honda GX 270 Engine Honda GX 390	1 1	900008 900019
22	Bush 1610 hole $\phi 25.4$	1	900338
23	Pulley 1 SPB 100	1	900334
24	Belt B-23	1	900339
25	Bush 1610 hole $\phi 28$	1	900337
26	Pulley 1 SPB 118	1	900336
27	Tie rod adjustment	1	000400
28	Cover closure	1	000397

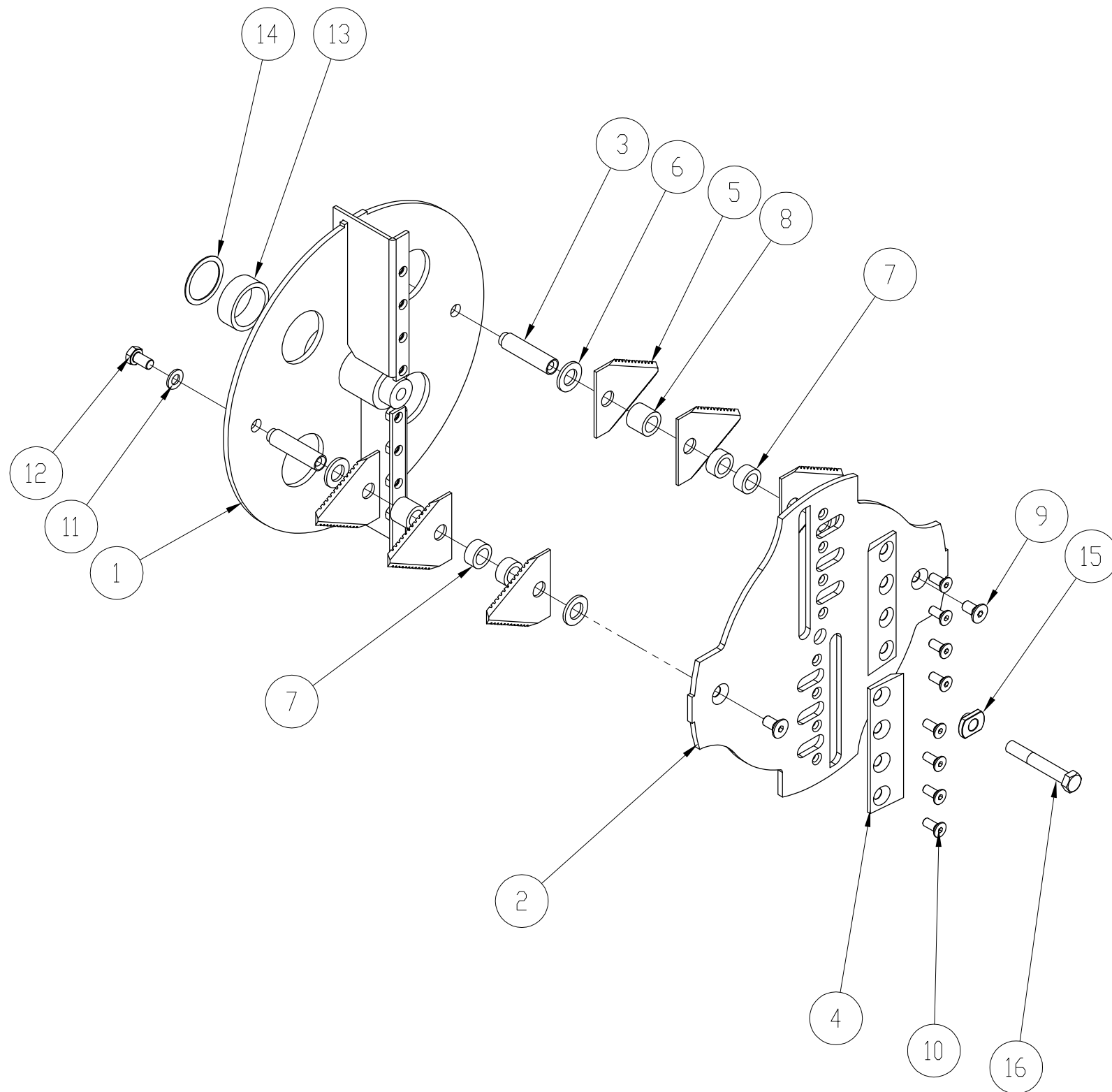




Pos	Description	No.	Code
29	Belt cover	1	000396
30	Screw TE M8x20	1	900378
31	Washer ø6x18	4	900046
32	Screw TE M6x10	4	900332
35	Self-lock nut M8 (low)	4	900762
40	Wheel ø260x85	2	900031
41	Screw TE M10x45	4	900527



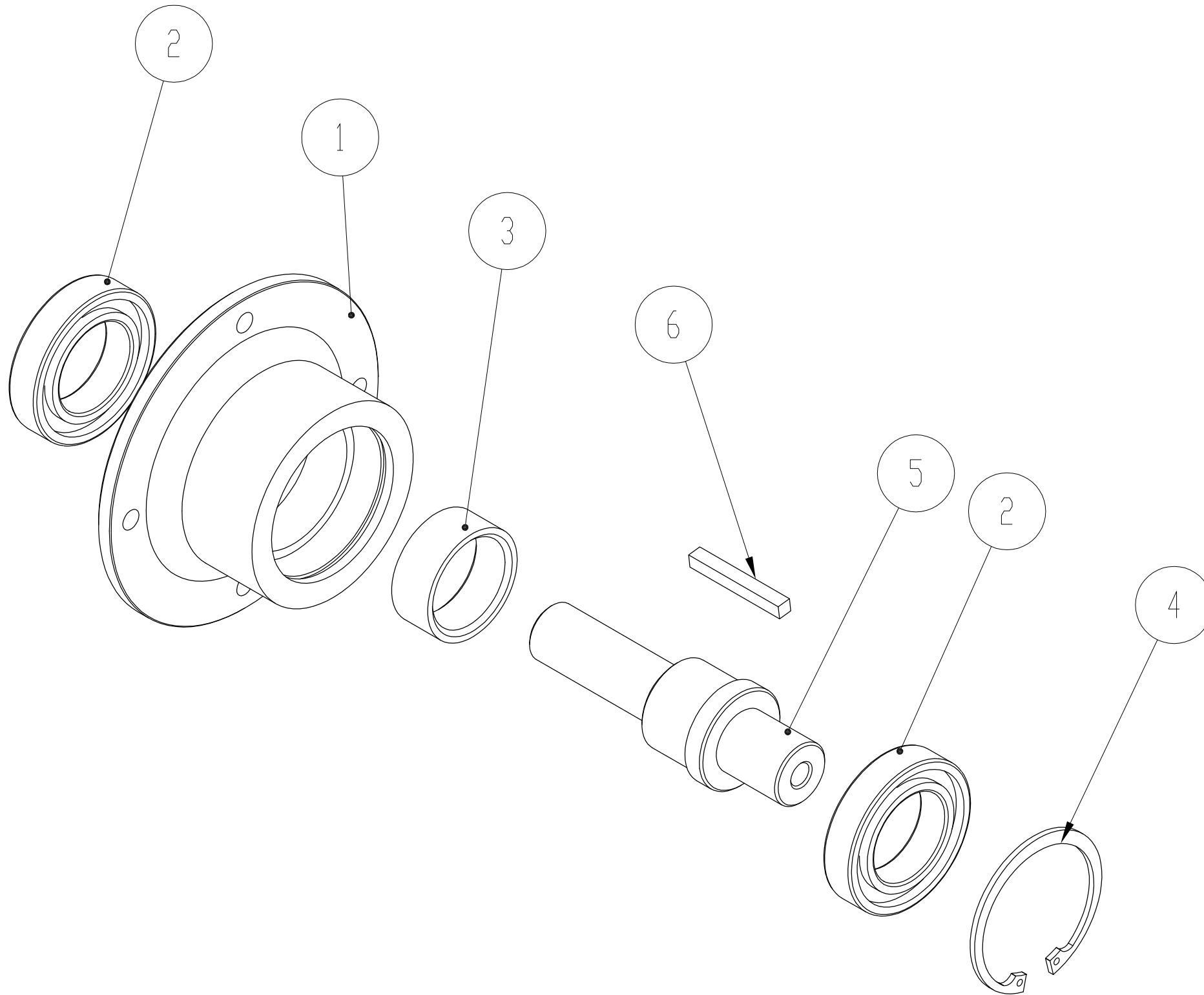
Pos	Description	No.	Code
3	Hopper	1	000044
10	Counter blade	2	000045
13	Screw TSPEI M8x25	6	900045
14	Washer $\varnothing 8 \times 16$	6	900038
15	Self-lock nut M8	6	900027
16	Rubber plate	1	000046
17	Protection rubber	1	000047
18	Washer $\varnothing 8 \times 24$	7	900038
19	Self-lock nut M8 (low)	7	900762
20	Washer $\varnothing 6 \times 18$	10	900046
21	Screw TE M6x25	5	900044
22	Self-lock nut M6	5	900041

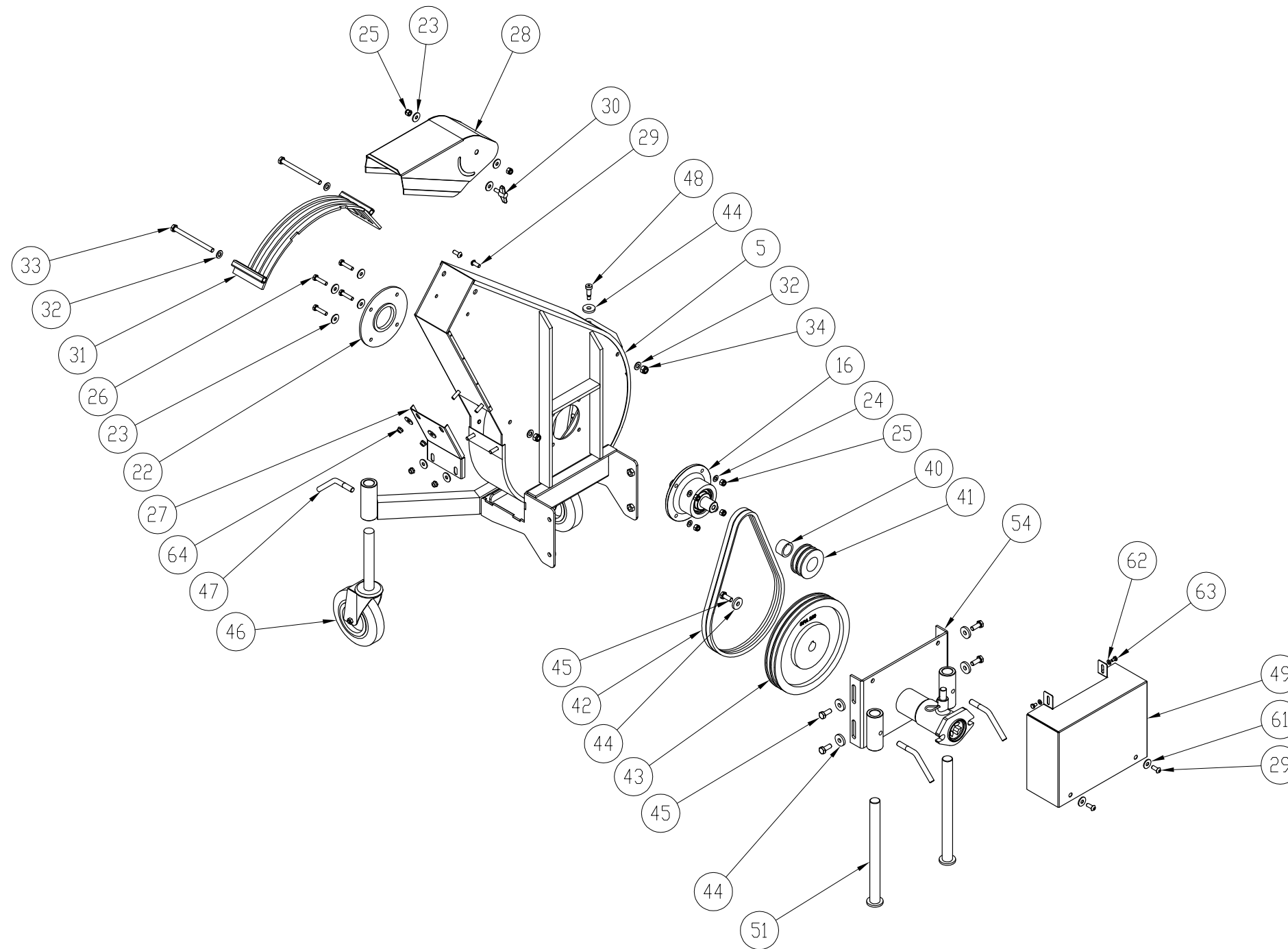


Pos	Description	No.	Code
1	Rotor	1	000043
2	Rotor disc	1	000036
3	Rod	2	000037
4	Chipper blade	2	000042
5	Blade TR3 Bio Prof	6	000038
6	Washer $\phi 16 \times 3$	4	900003
7	Spacer H=11.5	4	000041
8	Spacer H=21	2	000039
9	Screw TSPEI M10x20	2	900042
10	Screw TSPEI M8x20	8	900043
11	Washer $\phi 10 \times 20$	2	900028
12	Screw TE M10x16x1	2	900032
13	Spacer $\phi 40.5 \times 18$	1	000398
14	Spacer PS $\phi 40.5$	X	900341
15	Shaped washer	1	000023
16	Screw TE M12x80	1	900331



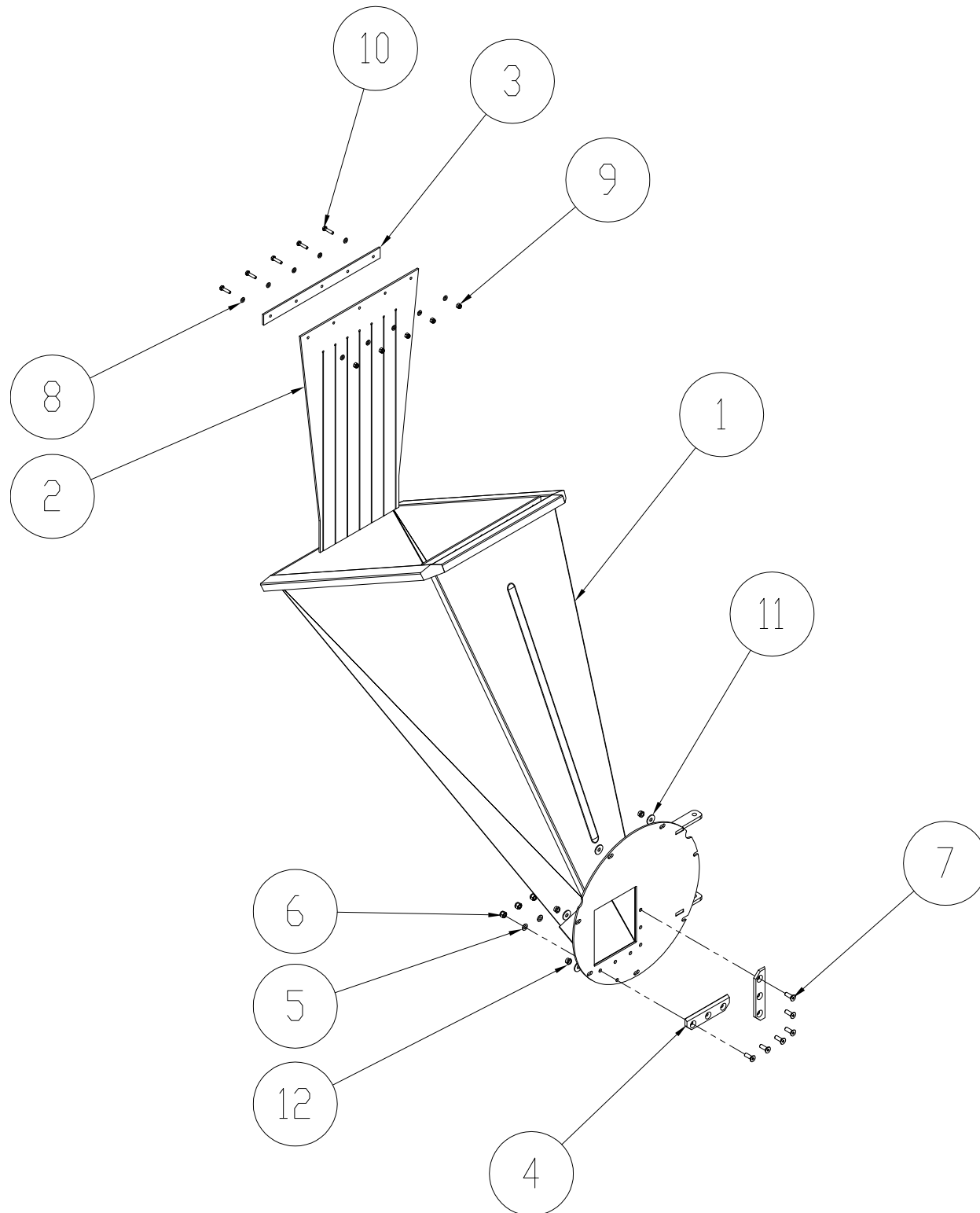
Pos	Description	No.	Code
1	Flange	1	000401
2	Bearing 6008 2RS R	2	900343
3	Spacer $\varnothing 40.5 \times 20$	1	000399
4	Seeger ring $\varnothing 68$	2	900342
5	Shaft	1	000394
6	Key 6.3x6.3x50	1	900340



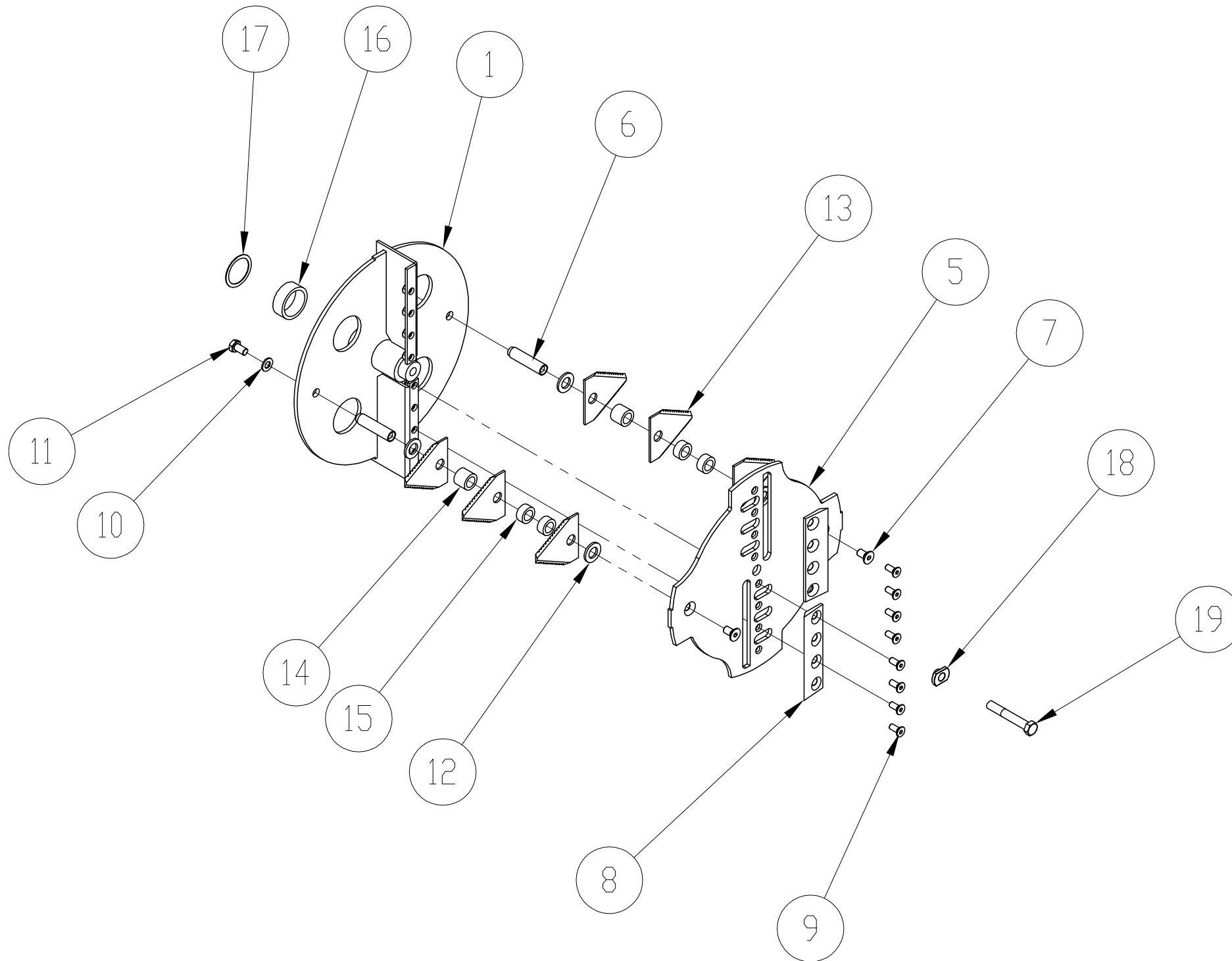


Pos	Description	No.	Code
5	Frame	1	000440
16	Flange Assembly	1	000393
22	Flange	1	000395
23	Washer ø8x24	13	900038
24	Washer ø8x16	4	900038
25	Self-lock nut M8	12	900027
26	Screw TE M8x35	4	900335
27	Screen inspection	1	000025
28	Casing	1	000027
29	Screen TBEI M8x20	4	900039
30	Knob M8x20	1	900040
31	Screen	1	001097
32	Washer ø10x20	7	900028
33	Screw TE M10x130	2	900029
34	Self-lock nut M10	5	900030
40	Bush 1108 ø28	1	900397
41	Pulley 2 SPA 71	1	900396
42	Belt A-38	2	900400
43	Pulley 2 SPA 250	1	900398
44	Washer ø30x5	7	000433
45	Screw TE M10x25	5	900380
46	Rotating wheel	2	900393
47	Threaded rod M10	2	900394
48	Screw with collar M8x20	2	900763
49	Belt cover	1	000445
51	Support foot	2	000444
54	MTC connection	1	000442
62	Washer ø6x12	2	900365
63	Screw TE M6x10	2	900332

64	Self-lock nut M8 (low)	4	900762
----	------------------------	---	--------

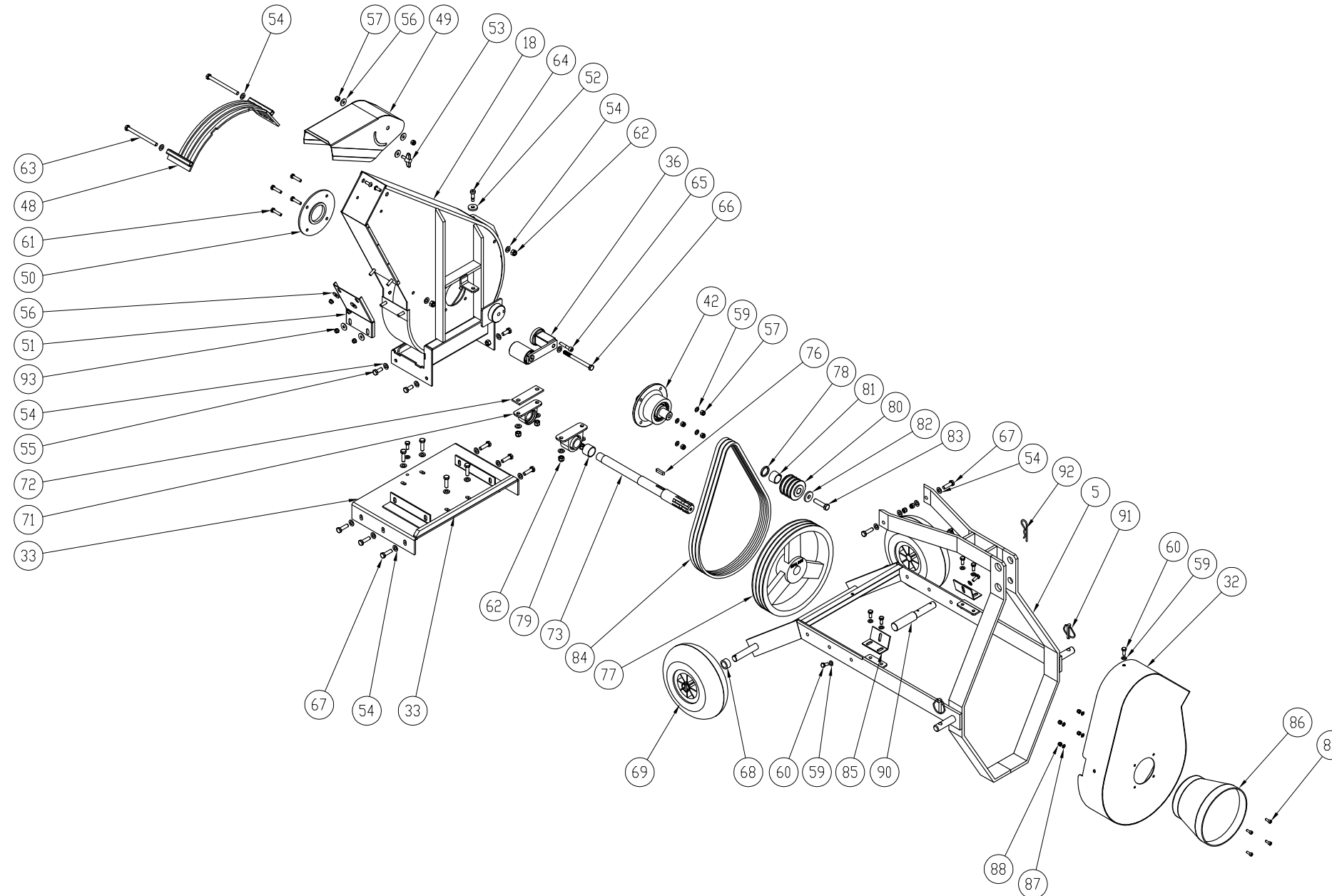


Pos	Description	No.	Code
1	Reverse hopper	1	001093
2	Protection rubber	1	000047
3	Rubber plate	1	000046
4	Counter blade	2	000045
5	Washer $\varnothing 8 \times 16$	6	900034
6	Self-lock nut M8	6	900027
7	Screw TSPEI M8x25	6	900045
8	Washer $\varnothing 6 \times 12$	10	900365
9	Self-lock nut M6	5	900041
10	Screw TE M6x25	5	900044
11	Washer $\varnothing 8 \times 24$	7	900038
12	Self-lock nut M8 (low)	7	900762

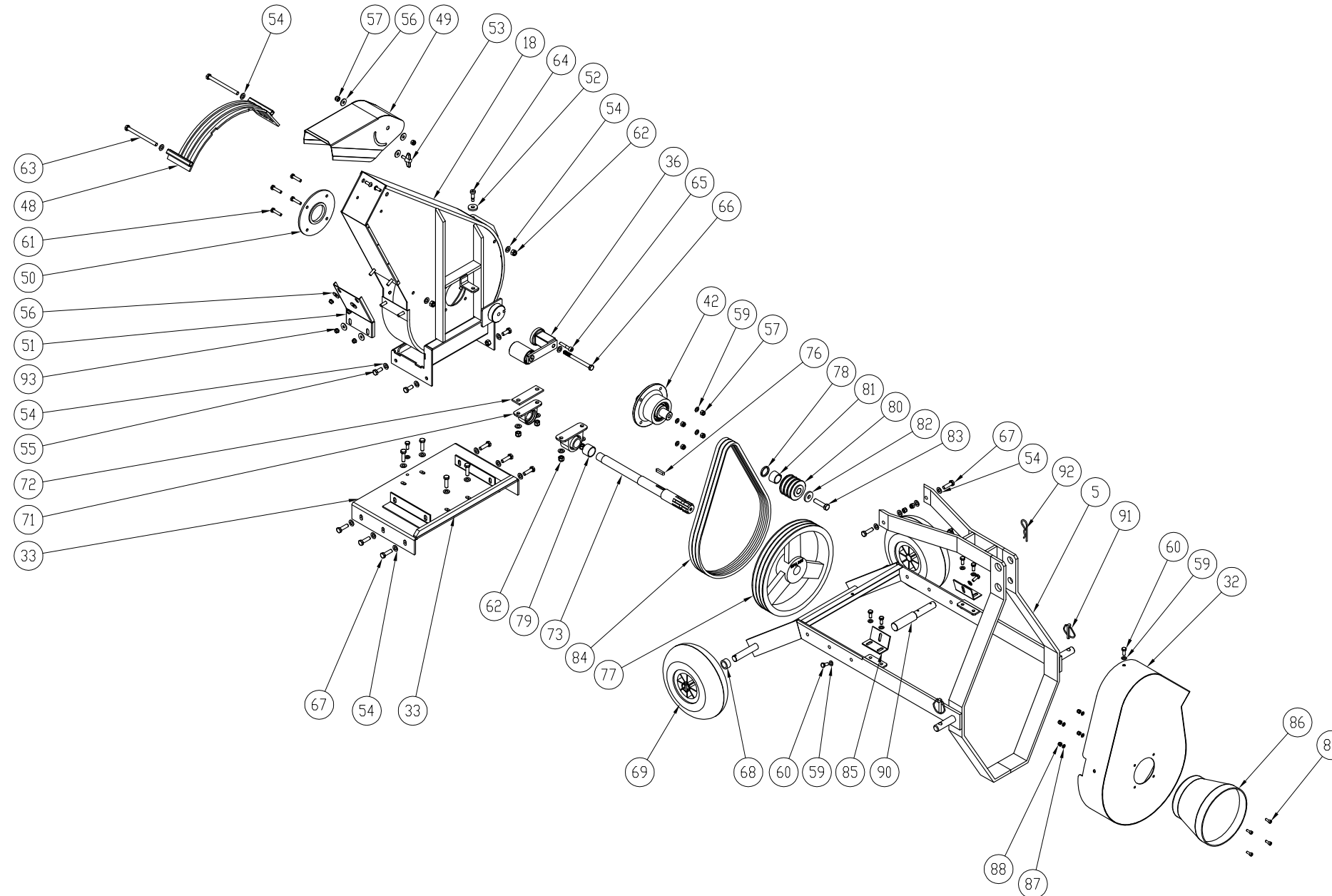


Pos	Description	No.	Code
1	Reverse rotor	1	001096
5	Rotor disc	1	001653
6	Rod	2	000037
7	Screw TSPEI M10x20	2	900042
8	Chipper blade	2	000042
9	Screw TSPEI M8x20	8	900043
10	Washer ø10x20	2	900028
11	Screw TE M10x16x1	2	900032
12	Washer ø16x3	4	900003
13	Blade TR3 Bio Prof	6	000038
14	Spacer H=21	2	000039
15	Spacer H=11.5	4	000041
16	Spacer ø40.5x18	1	000398
17	Spacer PS ø40.5	X	900341
18	Shaped washer	1	000023
19	Screw TE M12x80	1	900331





Pos	Description	No.	Code
5	PTO frame	1	001082
18	Frame	1	001083
32	Belt cover	1	001087
33	Frame support	1	001083
36	Idler Assembly	1	001092
42	Flange Assembly	1	000393
48	Screen	1	001091
49	Casing	1	000027
50	Flange	1	000395
51	Screen inspection	1	000025
52	Washer $\varnothing 30 \times 5$	2	000433
53	Knob M8x20	1	900040
54	Washer $\varnothing 10 \times 20$	33	900028
55	Screw TE M10x25	4	900380
56	Washer $\varnothing 8 \times 24$	11	900038
57	Self-lock nut M8	17	900027
59	Washer $\varnothing 8 \times 16$	12	900034
60	Screw TE M8x20	8	900378
61	Screw TE M8x30	4	900368
62	Self-lock nut M10	6	900030
63	Screw TE M10x130	2	900029
64	Screw with collar M8x20	2	900763
65	Screw TCEI M8x50	1	900490
66	Screw TE M10x120	1	900415
67	Screw TE M10x40	12	900363
68	Wheel spacer	2	001088
69	Wheel $\varnothing 260 \times 85$	2	900031
71	Bearing SBPP 205	1	540004000
72	Bearing plate	1	001085



Pos	Description	No.	Code
73	PTO Shaft	1	025200000
76	Key 8x7x35	1	900752
77	Pulley 3 SPA 325	1	900751
78	Spacer	1	001089
79	Spacer	1	001086
80	Pulley 3 SPA 63	1	900753
81	Bush (pulley 3 SPA 63)	1	900754
82	Washer $\varnothing 12 \times 35 \times 5$	1	900755
83	Screw TE M12x50	1	900361
84	Belt SPA 1257	3	900853
85	Angular plate (belt cover)	2	001084
86	PTO protection	1	520008003
87	Washer $\varnothing 6 \times 12$	4	900365
88	Self-lock nut M6 (low)	4	900899
89	Screw TCEI M6x16	4	900472
91	Circlip pin $\varnothing 7$	2	900750
92	Pin R4	1	900121
93	Self-lock nut M8 (low)	4	900762

Pos	Description	No.	Code
1	Idler support SE 18	1	900757
2	Idler roller	1	250000017
5	Screw TSPEI M10x20	1	900042

